

## Filter Plate Measurements: Gasketed Replacement Filter Cloths

Please refer to this guide to provide us with accurate measurements, so that we can provide you a competitive, dependable quotation.

### Filter Dimensions

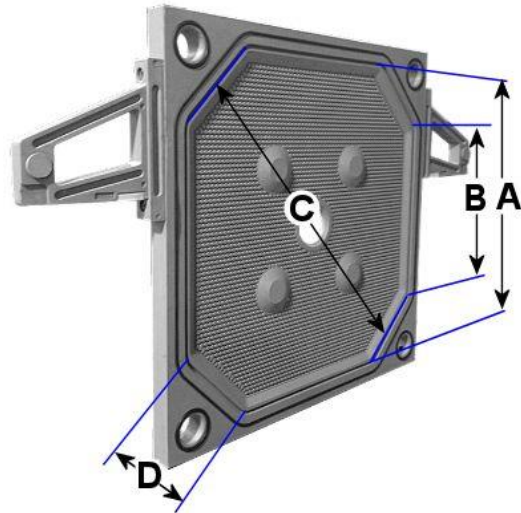
*(All measurements to the outside of the caulking groove)*

A: Vertical Filter Length: \_\_\_\_\_

B: Long Side Filter Length: \_\_\_\_\_

C: Filter Diagonal: \_\_\_\_\_

D: Short Side Filter Length: \_\_\_\_\_

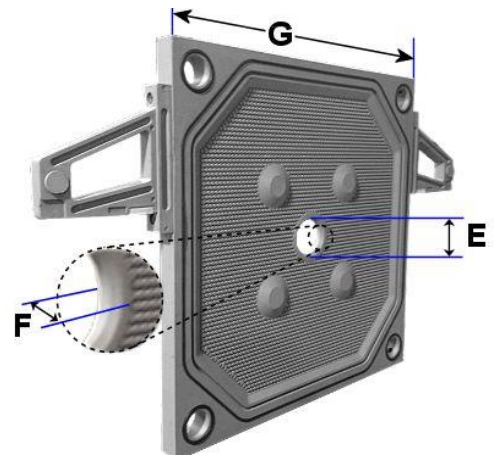


### Hole Dimensions

E: Center Hole Diameter: \_\_\_\_\_

F: Center Hole Thickness: \_\_\_\_\_

G: Plate Width: \_\_\_\_\_



### Cross Section of Plate

H: Caulking Groove Width: \_\_\_\_\_

I: Caulking Groove Depth: \_\_\_\_\_

J: Plate Thickness: \_\_\_\_\_

